

Ventilation Vents



Mushroom Roof Cowl With Mesh

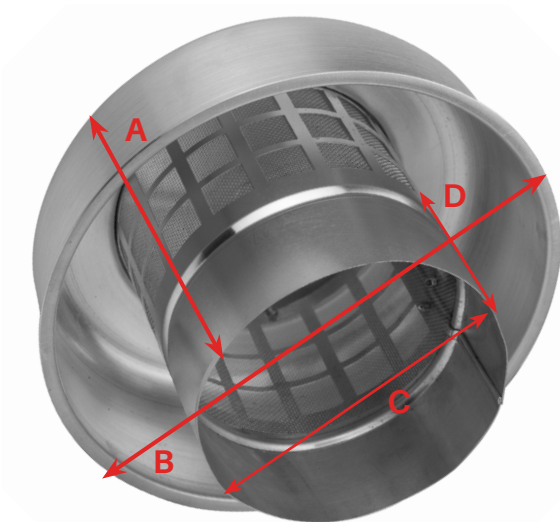
RMC4M, RMC5M, RMC6M & RMC8M

The RMC range offers the highest protection from rain, back drafts and rodents with a unique and stylish design. The Cowl slips over the roof pipe to prevent rain water running down the inside of the pipe.

The Cowl is made of Aluminum with the cover's thickness being 1mm and the neck being 0.6mm. The mesh is made of 304 stainless steel and **complies with BAL40 (Bushfire Attack Level).**



The diameter of the mesh wire is 0.2mm and has 16 holes per square centimetre



Key Benefits

- Efficient air/exhaust expulsion
- Suitable for roof ventilation only
- Complies to BAL40 (Bushfire Attack Level 40) when used with supplied cinder mesh surrounding

Dimensions (mm)

Model No.	A	B	C	D
RMC4M	150	200	100	70
RMC5M	150	225	125	70
RMC6M	150	250	150	70
RMC8M	150	300	200	70

Specification

Model No.	Description	Colour
RMC4M	Mushroom Cowl - 100mm	Silver
RMC5M	Mushroom Cowl - 125mm	Silver
RMC6M	Mushroom Cowl - 150mm	Silver
RMC8M	Mushroom Cowl - 200mm	Silver

PLEASE NOTE: BEING ALUMINIUM CONSTRUCTED OUR COWLS COMPLY TO BAL40 (BUSH ATTACK LEVEL 40) WHEN USED WITH SUPPLIED CINDER MESH INSERT. IT IS RECOMMENDED THAT A QUALIFIED TRADESPERSON IS USED TO INSTALL THE MUSHROOM COWL AND ANY ROOF VENTILATION.